



BENEFITS

Fewer trips to site means better focusing of staff

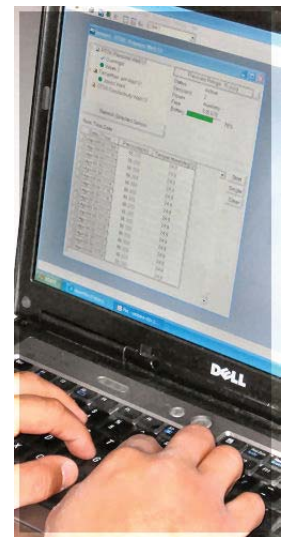
Early detection of problems means:

- Less cleanup cost
- Less environmental damage
- Less down time

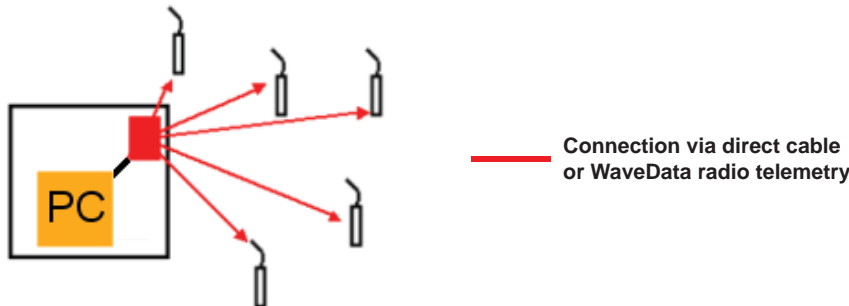
Better information = better business decisions

Features

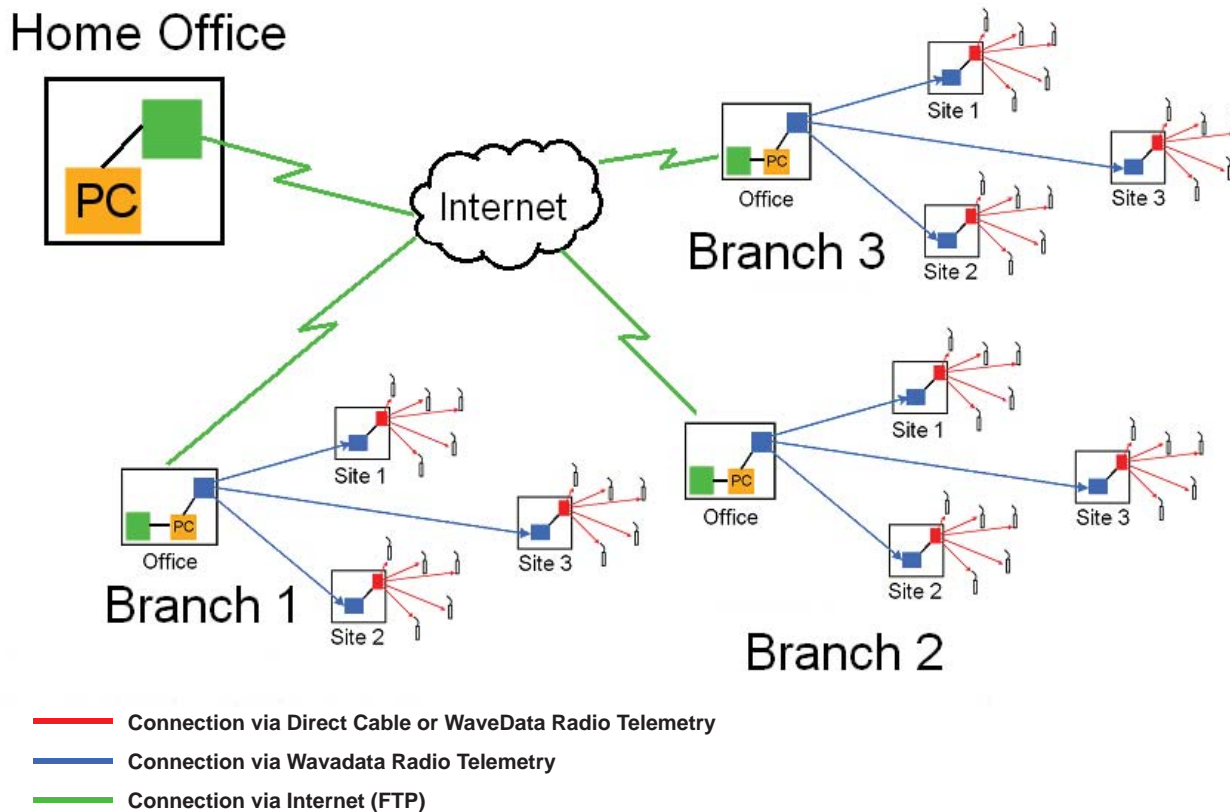
- Scheduled data collection from multiple sensors
 - PT2X – Pressure/Temperature
 - CT2X – Conductivity/Temperature
 - TempHion – pH/ISE/Redox
 - T8 – Temperature
 - GDL Datalogger
 - and more!
- Automatic barometric adjustment for absolute pressure sensors
- Built-in telemetry capabilities
- Generates single data file (.csv)
- Optimal automatic data file upload to designated Internet site (FTP)
- Easy to import into spreadsheets and databases



SINGLE-SITE INSTALLATION WITHOUT INTERNET UPLOAD



MULTI-SITE INSTALLATION WITH UPLOAD VIA INTERNET



©2011 Instrumentation Northwest, Inc. All rights reserved. INW and AquiStar are registered trademarks of Instrumentation Northwest. Information in this document is subject to change without notice. Doc# 6D0030r4 10/11

SALES & SERVICE LOCATIONS

8902 122nd Avenue NE
 Kirkland, WA 98033 USA
 425-822-4434
 FAX 425-822-8384 / info@inwusa.com

4620 Northgate Boulevard, Suite 170
 Sacramento, CA 95834 USA
 916-922-2900
 FAX 916-648-7766 / inws@inwusa.com

1-800-PRO-WELL
WWW.INWUSA.COM

